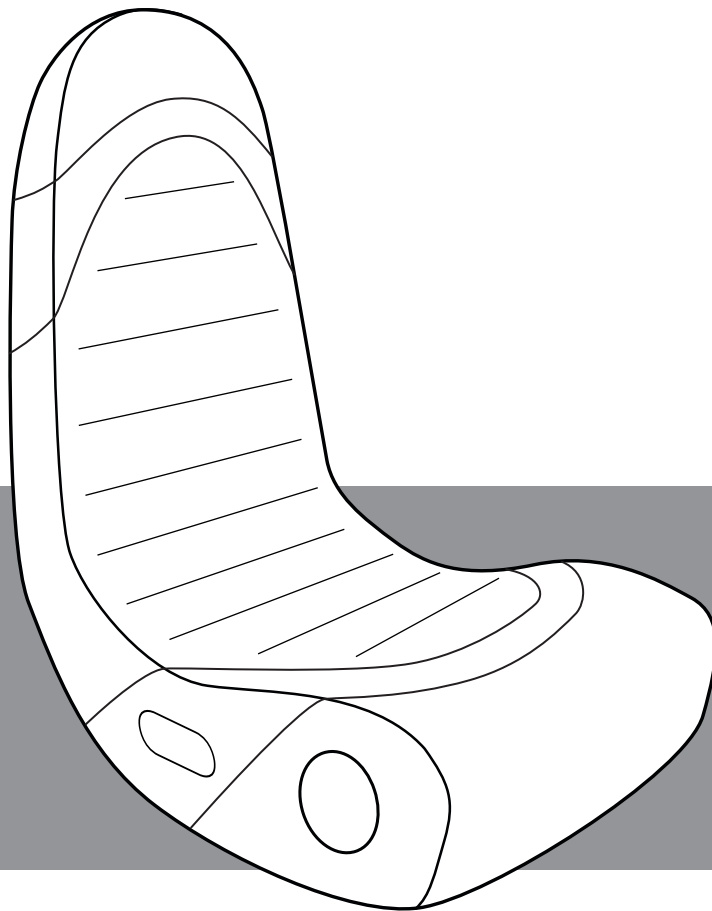


OWNER'S MANUAL

boomchair®

experience the ultimate level
of gaming and music

MOTO



LumiSource^{LLC}

boomchair®

Congratulations!

You are now the proud owner of a BOOMCHAIR®. Prepare to experience your entertainment on a whole new level. BOOMCHAIR® allows you to HEAR the sound and FEEL the excitement. You'll experience every crash, bang, and boom while enjoying your favorite game, music, or movie. BOOMCHAIR® is also a great game seat built to endure the rigors of today's gaming environment. Take a moment to review your owner's manual before connecting your BOOMCHAIR®. Assembly and operation of the BOOMCHAIR® is simple.

If you need further assistance visit us at www.BoomChair.com or www.LumiSource.com

BOOMCHAIR®, a LumiSource, LLC product.
LumiSource, LLC
2950 Old Higgins Road, Elk Grove Village, IL 60007

PATENTS PENDING

CAUTIONS

READ BEFORE USE

- DO NOT wash or soak with water. If BOOMCHAIR® gets wet, disconnect power immediately and do not use until completely dry.
- Turn power off and unplug BOOMCHAIR® when not in use.
- Children under 5 years old should not use this product without parental supervision.
- For INDOOR use only/ DO NOT expose to direct sunlight, moisture, or extreme temperatures.
- DO NOT use on slippery or uneven flooring.
- DO NOT use on wood flooring, it may cause scratching.
- Excessive exposure to audio equipment at high volume may lead to hearing loss.
- DO NOT TAMPER WITH OR OPEN

Caution: To reduce the risk of electric shock and fire, do not open the BOOMCHAIR®. There are no user serviceable parts inside. Refer to your warranty for service information.



Internal

FCC part 15.21:

Warning: Changes or modifications to this unit not expressly approved by the party responsible for compliance could void the user's authority to operate the equipment.

FCC WARNING

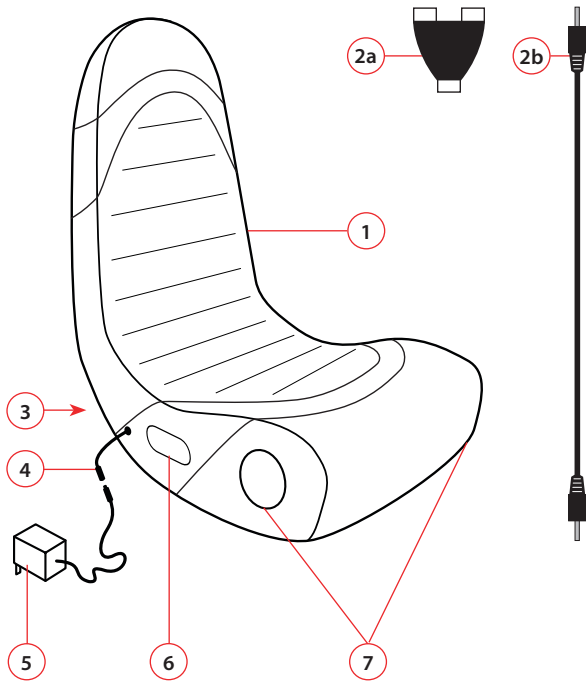
This device complies with Part 15 of the FCC rules.

Operation is subject to the following two conditions:

- (1) This device may not cause harmful interference.
- (2) This device must accept any interference received, including interference that may cause undesired operation.

SET-UP GUIDE

The BOOMCHAIR® comes with the following:



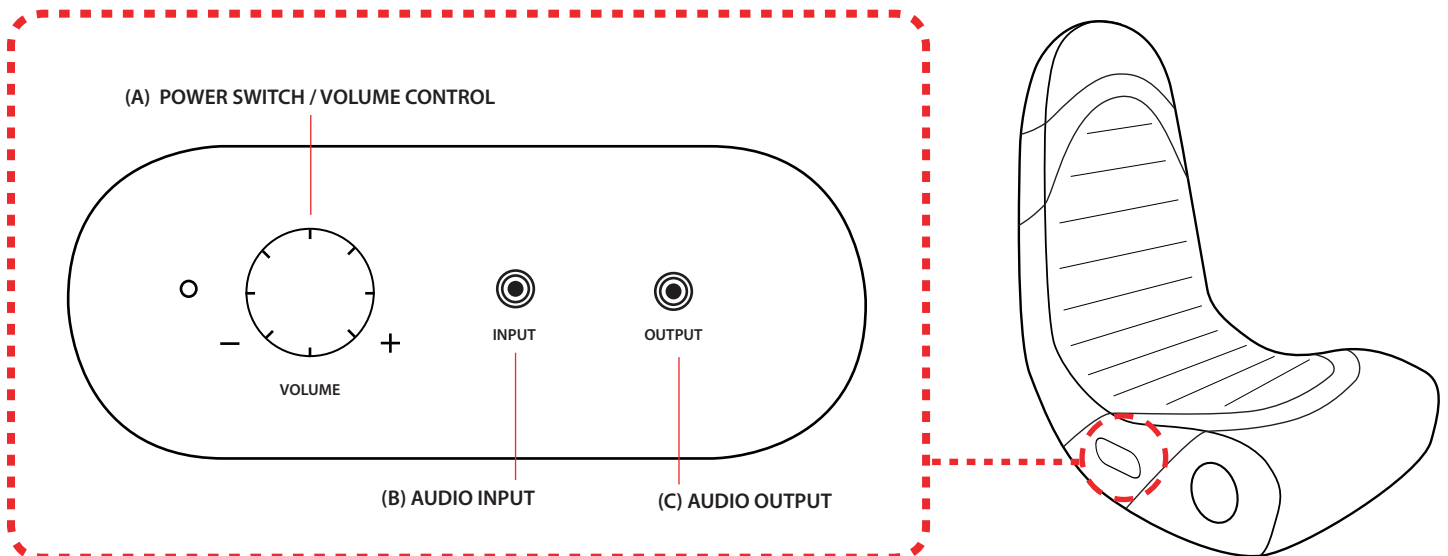
PARTS LIST:

- 1) RACER BOOMCHAIR®
- 2a) 1/8 in. (3.5mm) TO RCA ADAPTOR
- 2b) 1/8 in. (3.5mm) AUDIO CORD
- 3) HOOK & LOOP FASTENER
- 4) POWER RECEPTACLE
- 5) 12V DC 600mA POWER SUPPLY ADAPTOR
- 6) DASHBOARD CONTROL PANEL
- 7) SPEAKERS

SYSTEM SPECS:

Dimensions: 28 in. L x 16 in. W x 32 in. H
71 cm. L x 41 cm. W x 81 cm. H
2 mid-high speakers @ 2W 4 Ohms

DASHBOARD CONTROL PANEL



ASSEMBLY INSTRUCTIONS

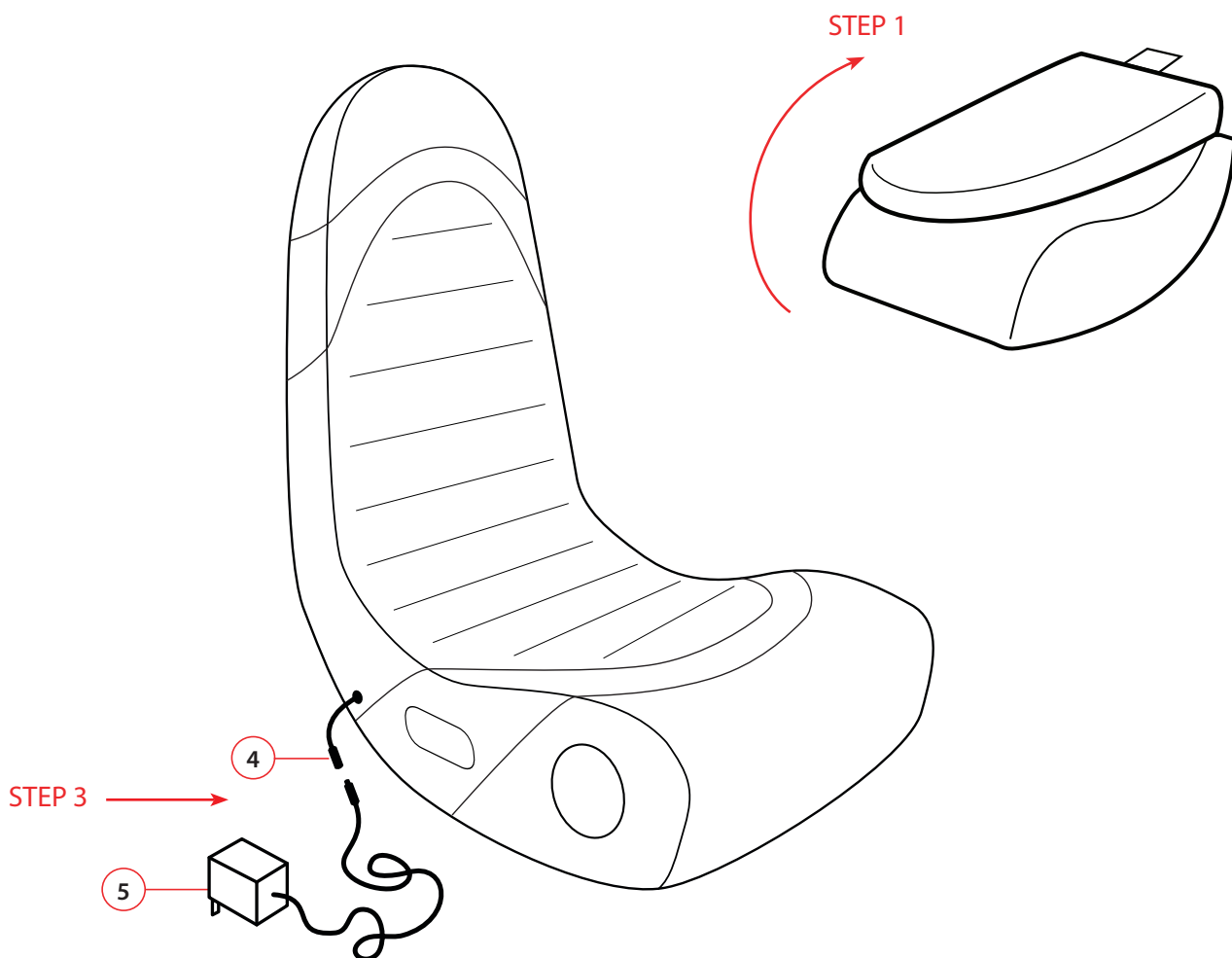
Step 1: Lift seat back to an upright position.

Step 2: Secure the seat back using attached HOOK & LOOP FASTENER (3).

Step 3: Insert 12V DC 600mA POWER SUPPLY ADAPTOR (5) into POWER RECEPTACLE (4).

Step 4: Plug 12V DC 600mA POWER SUPPLY ADAPTOR (5) into wall outlet.*

Step 5: Turn BOOMCHAIR® on by turning POWER SWITCH/VOLUME CONTROL (A) clockwise.

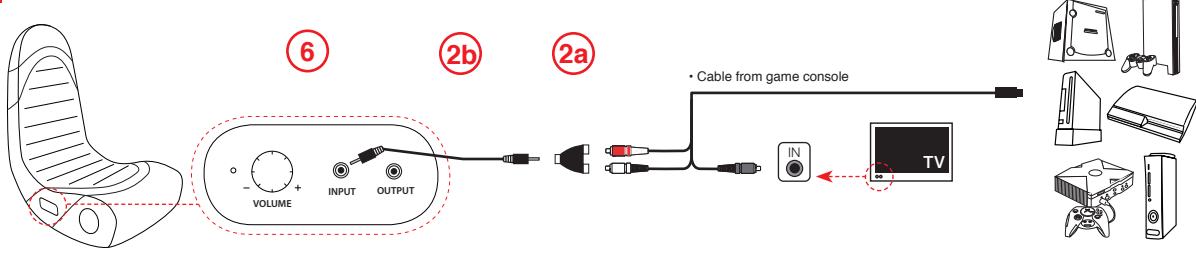


**CAUTION: Use only provided adaptor! Different voltage may cause permanent damage.*

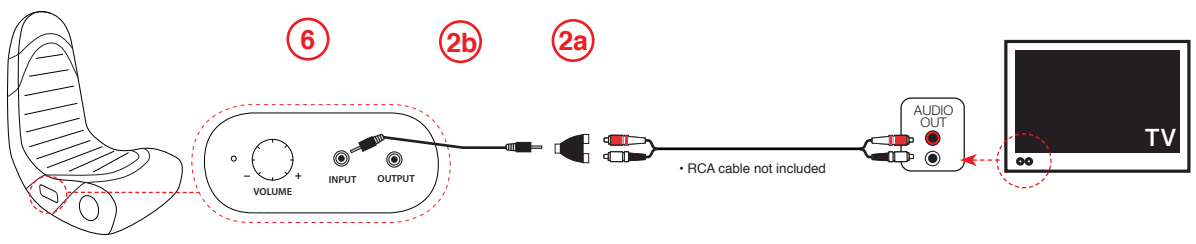
CONNECTING YOUR GAMES, MUSIC AND MOVIES



1 CONNECTING GAME CONSOLES



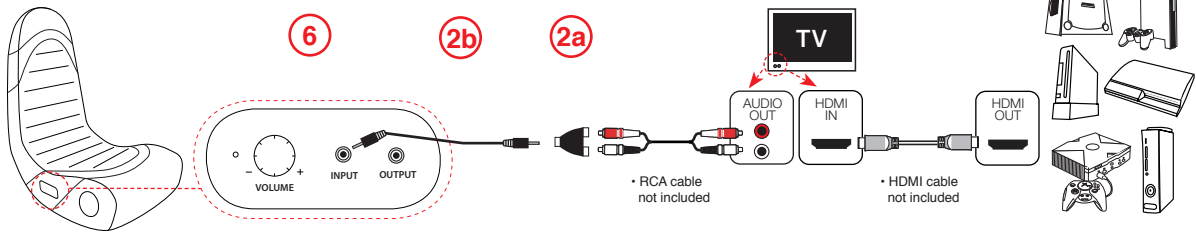
2 CONNECTING TV / DVD



3 CONNECTING HANDHELD / MP3 / PORTABLE DEVICES



4 CONNECTING WHILE USING YOUR HDMI CABLE



DAISY CHAINING CHAIRS TOGETHER

Step 1: Connect the first BOOMCHAIR® to any media device as described on page 5.

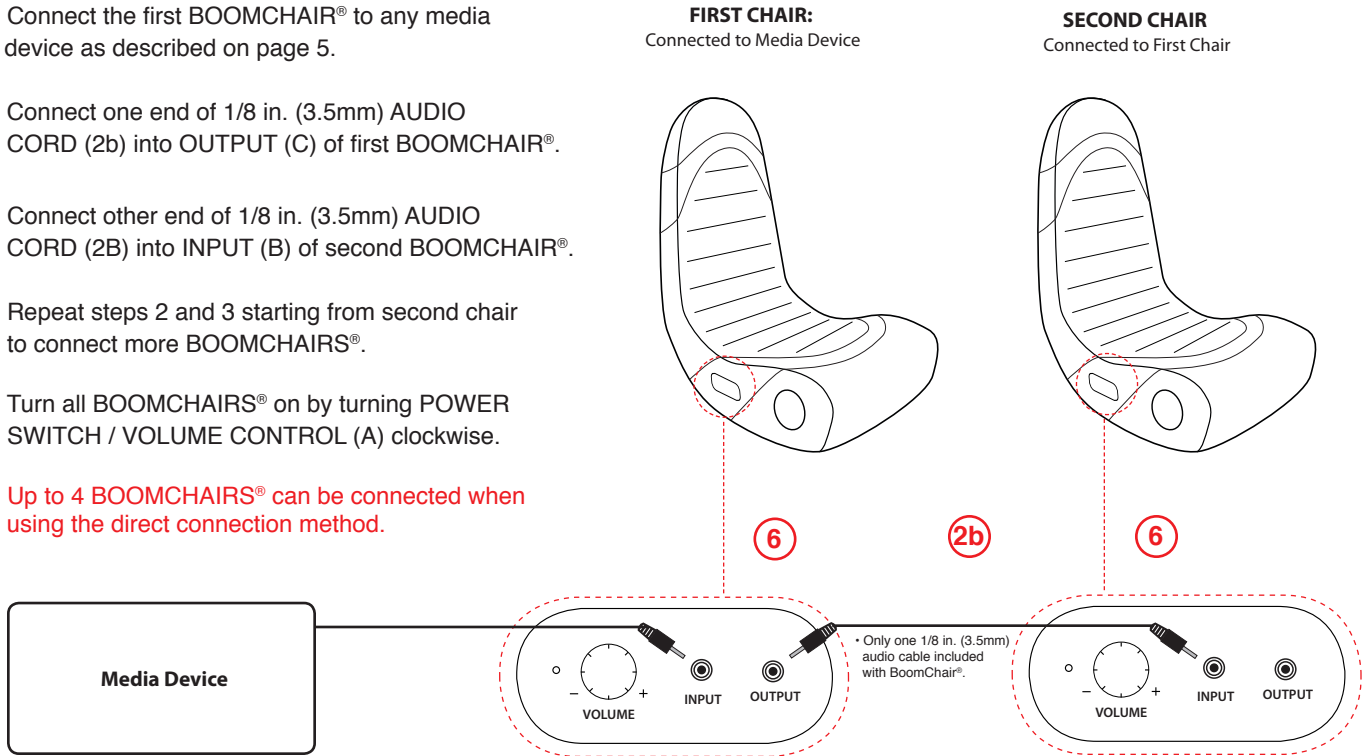
Step 2: Connect one end of 1/8 in. (3.5mm) AUDIO CORD (2b) into OUTPUT (C) of first BOOMCHAIR®.

Step 3: Connect other end of 1/8 in. (3.5mm) AUDIO CORD (2B) into INPUT (B) of second BOOMCHAIR®.

Step 4: Repeat steps 2 and 3 starting from second chair to connect more BOOMCHAIRS®.

Step 5: Turn all BOOMCHAIRS® on by turning POWER SWITCH / VOLUME CONTROL (A) clockwise.

Up to 4 BOOMCHAIRS® can be connected when using the direct connection method.



TROUBLESHOOTING BOOMCHAIR®

Q: Why isn't there sound coming from any of my speakers?

A: Ensure your BoomChair® is connected as described in the Assembly Instructions. Check that the power to the unit is on and the volume is turned up. Make sure your audio device is not set to "MUTE" and volume is turned up.

Q: Where can I get more information?

A: Visit us at www.BoomChair.com or www.LumiSource.com

Contact information: LumiSource, LLC. 2950 Old Higgins Road, Elk Grove Village, IL 60007

E-mail: customerservice@lumisource.com

MAINTENANCE AND REPAIR

If a problem occurs while using this product, please contact customerservice@lumisource.com. DO NOT open unit or attempt to repair on your own. It may result in serious injury from electric shock and void your product warranty.

CLEANING/CARE INSTRUCTIONS

Fabric: Use a clean cloth to dab lightly with soap and water. DO NOT rub.
DO NOT immerse in water. DO NOT use detergent.

NOTE: PLEASE DO NOT USE ON HARDWOOD FLOORS, IT MAY CAUSE SCRATCHING.

LUMISOURCE, LLC LIMITED WARRANTY

LIMITED WARRANTY: LumiSource, LLC (“LumiSource”) warrants this product against defects in materials and workmanship for a period of ninety (90) days from the date of original consumer purchase. If a covered warranty claim is timely made, LumiSource, LLC will, at its sole discretion: (a) repair the product, using new and/or refurbished replacement parts or (b) replace the product with an identical (or comparable) product, without charge to you other than the initial shipping cost to return the product. LumiSource, LLC will only pay return shipping charges for destinations within the 48 contiguous U.S.A., if the returned product is covered by the limited warranty.

WHAT THIS WARRANTY DOES NOT COVER: This warranty does not cover defects resulting from accidents, alterations, unauthorized repair, failure to follow instructions, misuse, commercial use, fire, flood, or acts of God.

WHAT WE ASK YOU TO DO: If there is a covered defect, please write or email us within 90 days of the date of purchase at the address noted on page 8 to obtain instructions and authorization to return the product to LumiSource, LLC. You will need to pack the product securely in packaging providing at least the degree of protection of the original carton and packing materials and ship it to us at your expense. You will also need to include with the product (a) a copy of your original proof of purchase (retail receipt) showing the date of purchase and (b) a detailed explanation of the problem(s) requiring service.

TO THE EXTENT PERMITTED BY LAW, THIS LIMITED WARRANTY AND THE REMEDIES SET FORTH ABOVE ARE EXCLUSIVE AND IN LIEU OF ALL OTHER WARRANTIES, REMEDIES AND CONDITIONS, ORAL OR WRITTEN, EXPRESS OR IMPLIED. TO THE EXTENT PERMITTED BY LAW, LUMISOURCE, LLC HEREBY DISCLAIMS ANY IMPLIED WARRANTIES, INCLUDING WITHOUT LIMITATION, WARRANTIES OF MERCHANTABILITY AND FITNESS FOR A PARTICULAR PURPOSE. TO THE EXTENT APPLICABLE STATE LAW EXCLUDES SUCH DISCLAIMERS, THEN TO THE EXTENT ALLOWED BY LAW, THE TIME FOR ANY CLAIMS FOR SUCH IMPLIED WARRANTIES SHALL EXPIRE 90 DAYS FROM THE DATE OF ORIGINAL CONSUMER PURCHASE. TO THE EXTENT PERMITTED BY LAW, LUMISOURCE, LLC IS NOT RESPONSIBLE FOR DIRECT, SPECIAL, INCIDENTAL OR CONSEQUENTIAL DAMAGES, INCLUDING BUT NOT LIMITED TO LOSS OF TIME, INCONVENIENCE, LOSS OF USE OF YOUR PRODUCT, OR PERSONAL INJURY OR PROPERTY DAMAGE, CAUSED BY YOUR PRODUCT OR ITS FAILURE TO WORK.

This limited warranty gives you specific legal rights. Some states do not allow the exclusion or limitation of incidental or consequential damages, and applicable law may not permit the exclusion of certain implied warranties. You may also have other rights, which vary, from state to state.

The logo for LumiSource, LLC, featuring the word "LumiSource" in a stylized, lowercase font with a red accent above the "i", followed by "LLC" in a smaller, uppercase font.

www.BoomChair.com • www.LumiSource.com

© 2011 LumiSource, LLC. All rights reserved. Boomchair® MOTO, the Boomchair® logo, and Boomchair® MOTO logo are trademarks of LumiSource, LLC. Other trademarks are properties of their respective owners.

The design of this product is a trade dress of LumiSource, LLC. Patents pending. Actual contents may differ slightly from those pictured. Made in China. Distributed by LumiSource, LLC, 2950 Old Higgins Road, Elk Grove Village, IL 60007. www.lumisource.com.

This product is not manufactured or distributed by Microsoft®, the owner of the trademark Xbox™; by Nintendo®, the owner of the trademark Wii™, GameCube™, and DS™; by Sony®, the owner of the trademarks Playstation™ PS3™, PS2™, and PSP™; or by Apple Computer, Inc., the owner of the trademark iPod™.