

Boom™ Buddy

Multimedia Pillow with Built-in SPEAKERS



Boom™ Buddy

Multimedia Pillow with Built-in SPEAKERS

Congratulations!

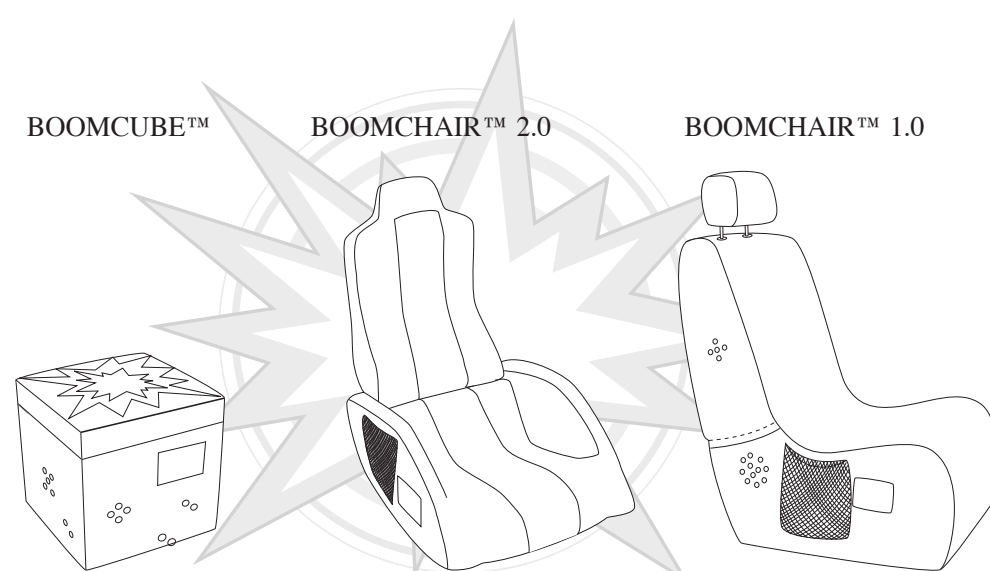
You are now the proud owner of a BOOM™ BUDDY. Prepare to experience your entertainment on a whole new level. BOOM™ BUDDY allows you to **HEAR** the sound and **FEEL** the excitement. You'll experience every crash, bang, and boom while enjoying your favorite game, music, or movie. BOOM™ BUDDY is also a great game seat built to endure the rigors of today's gaming environment. Take a moment to review your owner's manual before connecting your BOOM™ BUDDY. Set-up and operation of the BOOM™ BUDDY is simple.

If you need further assistance visit us at www.BoomChair.com or www.LumiSource.com

BOOM™ BUDDY, a LumiSource® product.
LumiSource, Inc.
2950 Old Higgins Road, Elk Grove Village, IL 60007

PATENTS PENDING

BoomChair™, BoomChair 2.0™, BoomCube™ and Boom™ Buddy are trademarks of LumiSource, Inc. Other trademarks are properties of their respective owners.
©2006 LumiSource, Inc. All rights reserved. www.BoomChair.com & www.LumiSource.com



2950 Old Higgins Road, Elk Grove Village, IL 60007
E-mail: customerservice@lumisource.com
www.BoomChair.com or www.LumiSource.com

READ BEFORE USE

- DO NOT wash or soak with water. If BOOM™ BUDDY gets wet, disconnect power immediately and do not use until completely dry.
- Switch power off (0) and unplug BOOM™ BUDDY when not in use.
- Children under 5 years old should not use this product without parental supervision.
- For INDOOR use only/ DO NOT expose to direct sunlight, moisture, or extreme temperatures.
- DO NOT use on slippery or uneven flooring.
- Excessive exposure to audio equipment at high volume may lead to hearing loss.
- DO NOT open the BOOM™ BUDDY (see warning below).



Internal

• DO NOT OPEN

Caution: To reduce the risk of electric shock and fire, do not open the BOOM™ BUDDY. There are no user serviceable parts inside. Refer to your warranty for service information

FCC CERTIFICATIONS

This device complies with Part 15 of the FCC rules.

Operation is subject to the following two conditions:

- (1) This device may not cause harmful interference.
- (2) This device must accept any interference received, including interference that may cause undesired operation.

Power rating: 12 Volts at 1000mA

SET-UP GUIDE

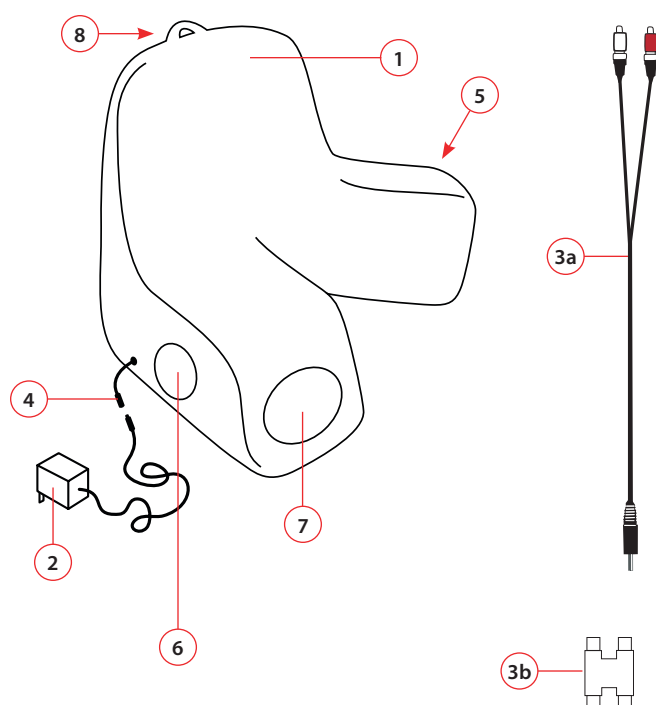
The BOOM™ BUDDY comes with the following:

PARTS LIST:

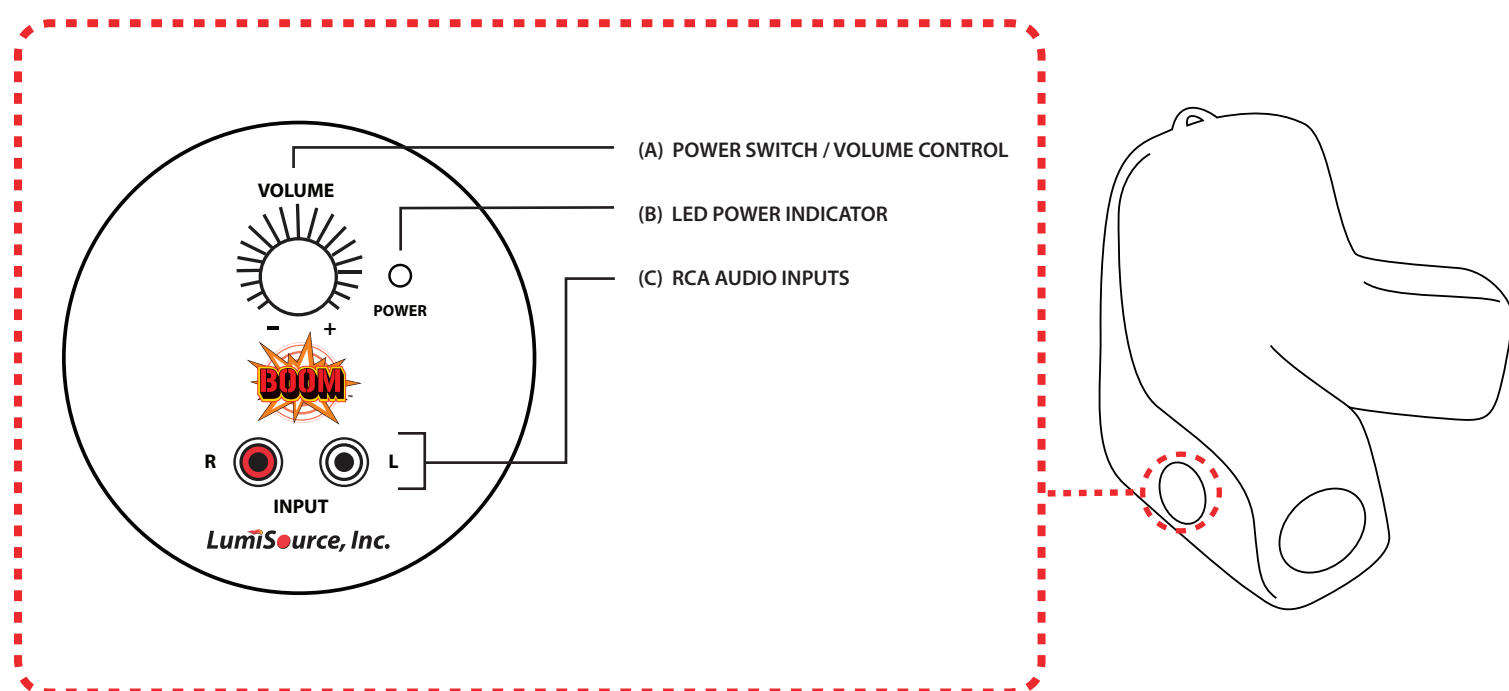
- 1) BOOM™ BUDDY
- 2) AC/DC POWER SUPPLY
- 3a) RCA CORD (headphone jack to audio left & right channel connectors)
- 3b) RCA AUDIO COUPLER
- 4) RECEPTACLE
- 5) STORAGE POCKET (on left arm)
- 6) DASHBOARD CONTROL PANEL
- 7) SPEAKERS
- 8) BUILT-IN HANDLE

SYSTEM SPECIFICATIONS

Dimensions: 32" W x 18" L x 19" H
Weight: 12 lbs.
2 - 3" coaxial mid-high speakers @ 5W 4 Ohms
1 - 12v AC/DC UL listed power adapter



DASHBOARD CONTROL PANEL

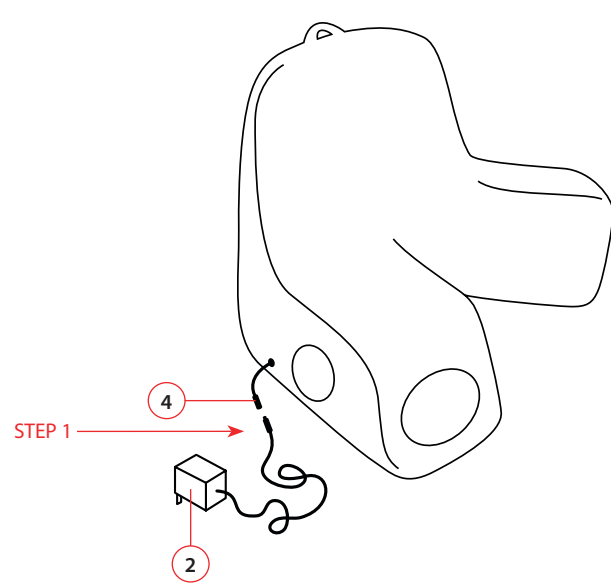


CONNECTING TO POWER SUPPLY

Step 1: Insert receptacle (4) into adapter cord (2).

Step 2: Plug adapter (2) into outlet.

Step 3: Turn Power/Volume Control (A) clockwise.

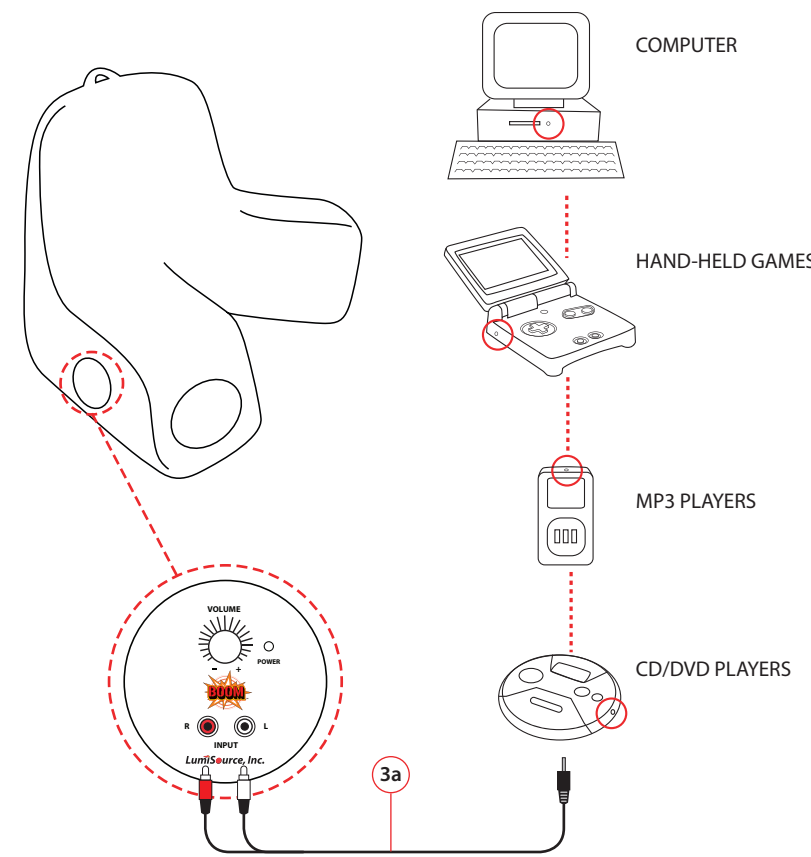


CONNECTING TO HAND-HELD GAMES, MP3 PLAYERS & CD/DVD PLAYERS

Step 1: Plug the single end of the RCA cord (3a) into the headphone jack of your device.

Step 2: Plug the pair of RCA cords into RCA INPUT (C) on the BOOM™ BUDDY.

3a = headphone jack to audio left & right channel connectors.



CONNECTING TO GAME CONSOLES

Note: All game consoles are supplied with a custom connector with yellow video out and RCA red/white audio out.

Step 1: Plug yellow composite video cable from game console into video input of TV. (Fig. 1)

Step 2: Plug Red/White RCA cord from game console into RCA INPUT (C) of BOOM™ BUDDY. (Fig. 2)

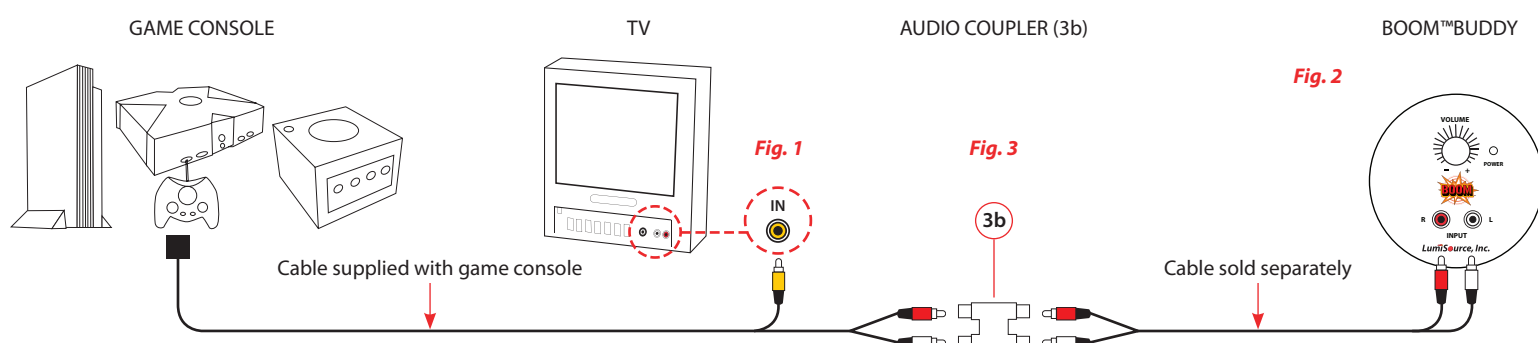
Alternate Connection:
Connect directly from the TV Audio Out to the Boom™ Buddy Audio Input using RCA audio cords (sold separately).

Note: It may be necessary to extend your Boom™ Buddy further away from your TV or console. Here's how. (Fig.3)

Step 1: Connect Audio Coupler (3b) to Red/White RCA cord from game console.

Step 2: Connect one end of RCA cord (sold separately) into other end of Audio Coupler (3b).

Step 3: Connect other end of RCA cord into RCA INPUT (C) of BOOM™ BUDDY.



DAISY CHAINING PILLOWS TOGETHER : UP TO 4 PILLOWS

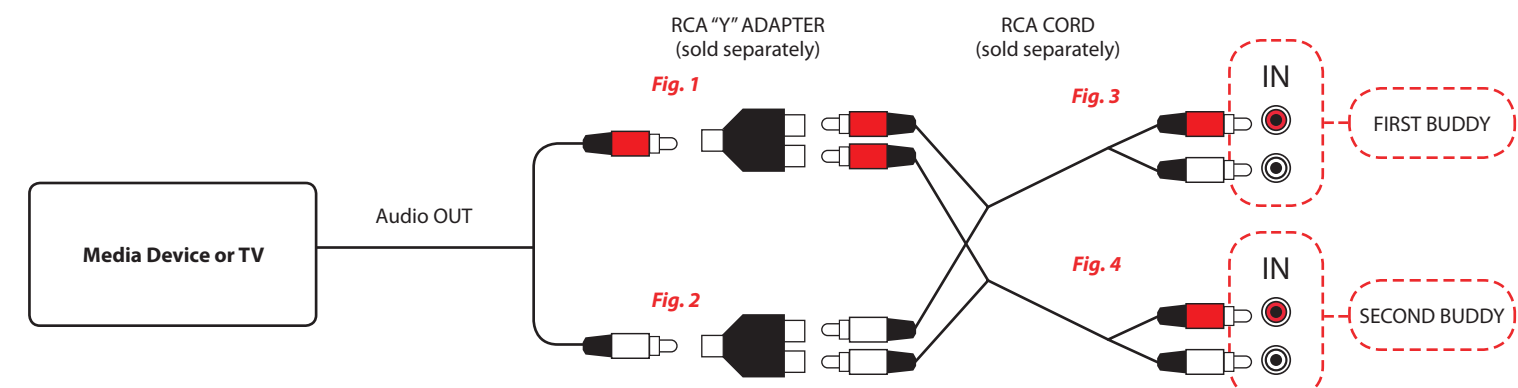
Note: You will need two RCA "Y" adapters (sold separately) and two RCA cords (sold separately) to connect two Boom™ Buddies

Step 1: Connect single end of first "Y" adapter to RED RCA plug coming from media device. (Fig.1)

Step 2: Connect single end of second "Y" adapter to WHITE RCA plug coming from media device. (Fig.2)

Step 3: Cord A (Fig.3): Connect RED plug to RED "Y" adapter and WHITE plug to WHITE "Y" adapter. Separate cords as necessary. Connect opposite end of cord to INPUT of first BOOM™ BUDDY.

Step 4: Cord B (Fig.4): Connect RED plug to RED "Y" adapter and WHITE plug to WHITE "Y" adapter. Separate cords as necessary. Connect opposite end of cord to INPUT of second BOOM™ BUDDY.



TROUBLESHOOTING BOOM™ BUDDY

Q: Why isn't there sound coming from any of my speakers?

A: Ensure your Boom™ Buddy is connected as described in the Setup Guide. Check that the power to the unit is on and the volume is turned up. Also, make sure your audio device is not set to "MUTE" and volume is turned up.

Q: Why isn't there sound coming from one of the speakers?

A: Ensure the audio cord to the Boom™ Buddy is securely connected as described in the Setup Guide. Make sure that both the left and right channel audio inputs are securely connected to the Boom™ Buddy and audio device.

Q: Where can I get more information?

A: Visit us at www.BoomChair.com or www.LumiSource.com
Contact information: LumiSource, Inc. 2950 Old Higgins Road, Elk Grove Village, IL 60007
E-mail: customerservice@lumisource.com

MAINTENANCE AND REPAIR

If a problem occurs while using this product, please contact us. DO NOT open unit or attempt to repair on your own. It may result in serious injury from electric shock and void your product warranty.

CLEANING/CARE INSTRUCTIONS

Fabric: Use a clean cloth to dab lightly with soap and water. DO NOT rub.
DO NOT immerse in water. DO NOT use detergent.

NOTE: PLEASE DO NOT USE ON HARDWOOD FLOORS, IT MAY CAUSE SCRATCHING.

LUMISOURCE, INC. LIMITED WARRANTY

LIMITED WARRANTY: LumiSource, Inc. ("LumiSource") warrants this product against defects in materials and workmanship for a period of ninety (90) days from the date of original consumer purchase. If a covered warranty claim is timely made, LumiSource® will, at its sole discretion: (a) repair the product, using new and/or refurbished replacement parts or (b) replace the product with an identical (or comparable) product, without charge to you other than the initial shipping cost to return the product. LumiSource® will only pay return shipping charges for destinations within the 48 contiguous U.S.A., if the returned product is covered by the limited warranty.

WHAT THIS WARRANTY DOES NOT COVER: This warranty does not cover defects resulting from accidents, alterations, unauthorized repair, failure to follow instructions, misuse, commercial use, fire, flood, or acts of God.

WHAT WE ASK YOU TO DO: If there is a covered defect, please write or email us within 90 days of the date of purchase at the address noted to obtain instructions and authorization to return the product to LumiSource®. You will need to pack the product securely in packaging providing at least the degree of protection of the original carton and packing materials and ship it to us at your expense. You will also need to include with the product (a) a copy of your original proof of purchase (retail receipt) showing the date of purchase and (b) a detailed explanation of the problem(s) requiring service.

TO THE EXTENT PERMITTED BY LAW, THIS LIMITED WARRANTY AND THE REMEDIES SET FORTH ABOVE ARE EXCLUSIVE AND IN LIEU OF ALL OTHER WARRANTIES, REMEDIES AND CONDITIONS, ORAL OR WRITTEN, EXPRESS OR IMPLIED. TO THE EXTENT PERMITTED BY LAW, LUMISOURCE® HEREBY DISCLAIMS ANY IMPLIED WARRANTIES, INCLUDING WITHOUT LIMITATION, WARRANTIES OF MERCHANTABILITY AND FITNESS FOR A PARTICULAR PURPOSE. TO THE EXTENT APPLICABLE STATE LAW EXCLUDES SUCH DISCLAIMERS, THEN TO THE EXTENT ALLOWED BY LAW, THE TIME FOR ANY CLAIMS FOR SUCH IMPLIED WARRANTIES SHALL EXPIRE 90 DAYS FROM THE DATE OF ORIGINAL CONSUMER PURCHASE. TO THE EXTENT PERMITTED BY LAW, LUMISOURCE® IS NOT RESPONSIBLE FOR DIRECT, SPECIAL, INCIDENTAL OR CONSEQUENTIAL DAMAGES, INCLUDING BUT NOT LIMITED TO LOSS OF TIME, INCONVENIENCE, LOSS OF USE OF YOUR PRODUCT, OR PERSONAL INJURY OR PROPERTY DAMAGE, CAUSED BY YOUR PRODUCT OR ITS FAILURE TO WORK.

This limited warranty gives you specific legal rights. Some states do not allow the exclusion or limitation of incidental or consequential damages, and applicable law may not permit the exclusion of certain implied warranties. You may also have their rights, which vary, from state to state.